

ECO.30

Magnetic drilling machine

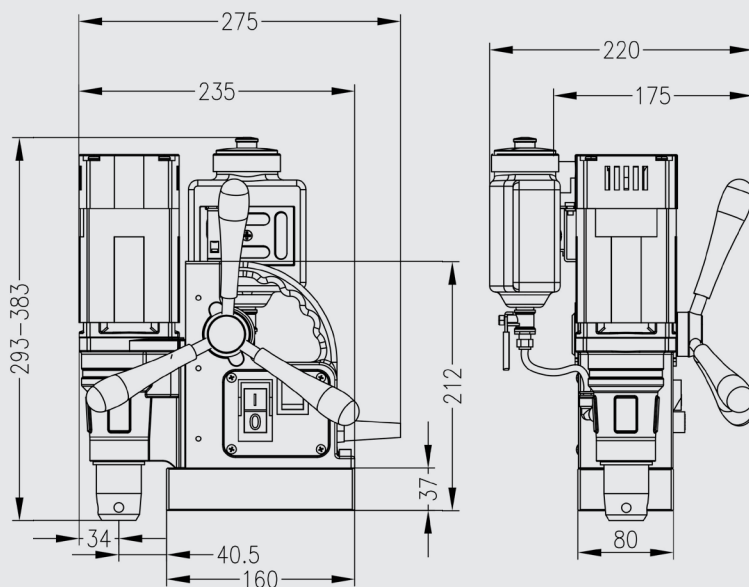
EUROBOOR

FOR PROFESSIONALS BY PROFESSIONALS

Technical data

	Metric	Imperial
Annular cutting	Ø 12 - 30 mm	Ø 1/2" - 1 3/16"
Twist drilling (Weldon)	Ø 1 - 13 mm	Ø 1/16" - 1/2"
Countersinking	Ø 10 - 35 mm	Ø 3/8" - 1 3/8"
Length	275 mm	10 13/16"
Width	190 mm	7 1/2"
Height	293 - 383 mm	11 9/16" - 15 1/16"
Stroke	90 mm	3 9/16"
Weight*	8.5 kg	18.7 lbs
Magnet (l x w x h)	160 x 80 x 37 mm	6 5/16" x 3 1/8" x 1 7/16"
Magnetic force	1,200 kg	2,645 lbs
Motor power	900 W	8.2 A
Total power	950 W	8.6 A
Speed		775 rpm
(no load)		
Speed		400 rpm
(load 900 W, 8.2 A)		
Spindle (Weldon)	19.05 mm	3/4"
Voltage		110 - 120 V / 60 Hz 220 - 240 V / 50 - 60 Hz

* Without power cord and handles



Features



Weight:
8.5 kg
(18.7 lbs)



Euroboor makes every effort to meet quality and integrity requirements. That is why we as an organization are proud of the recognition of some leading organizations worldwide:



www.euroboor.com